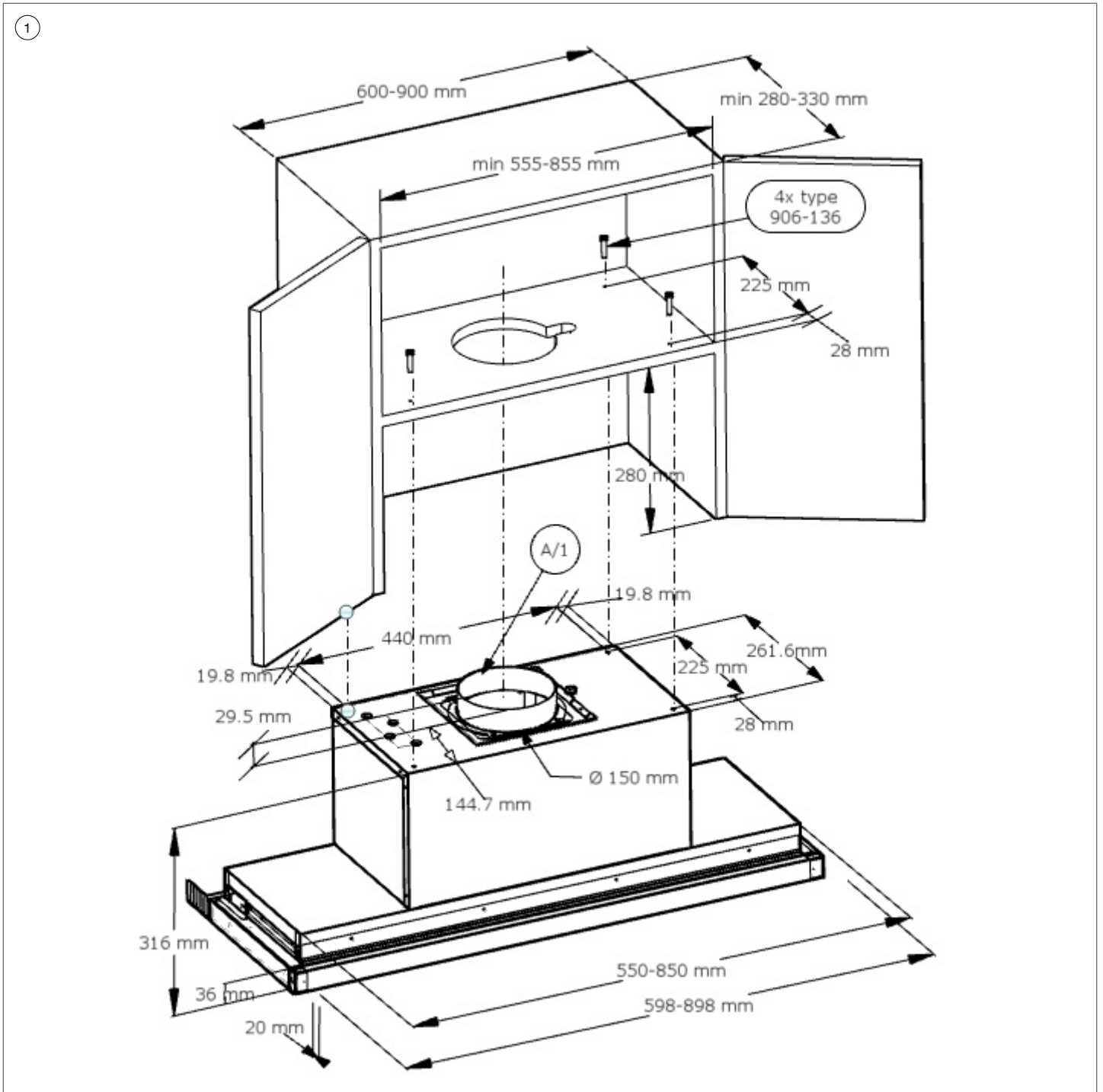
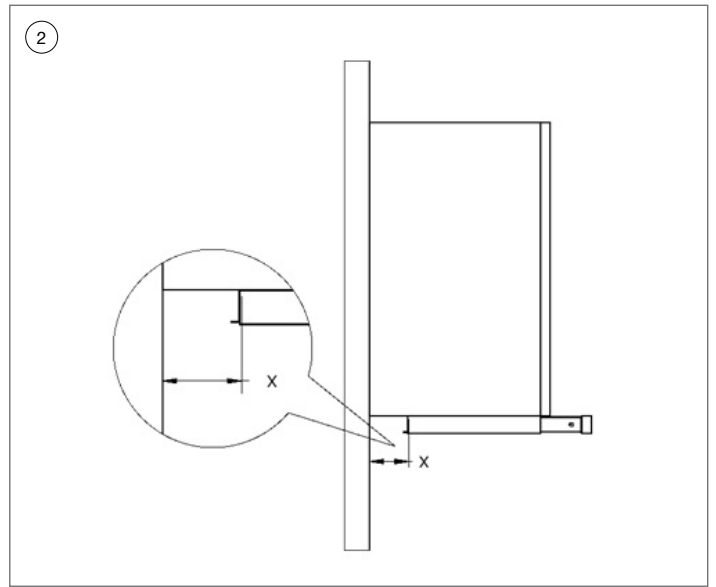
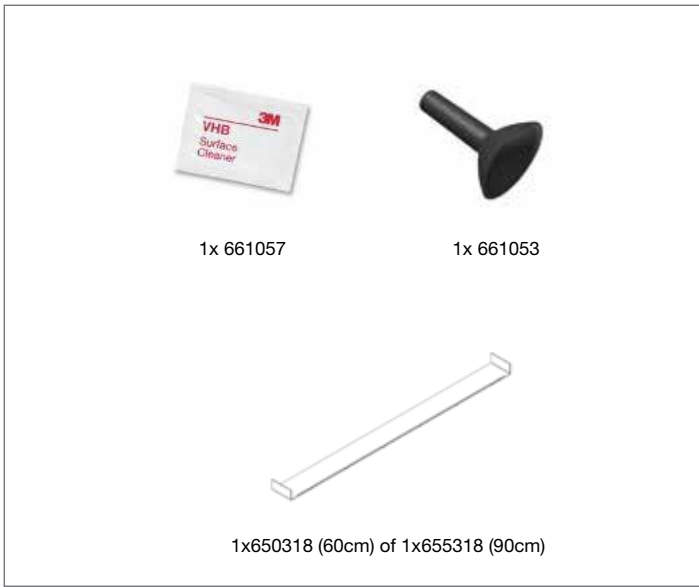
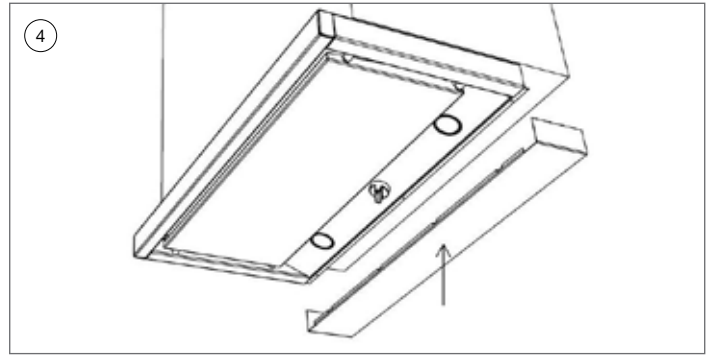
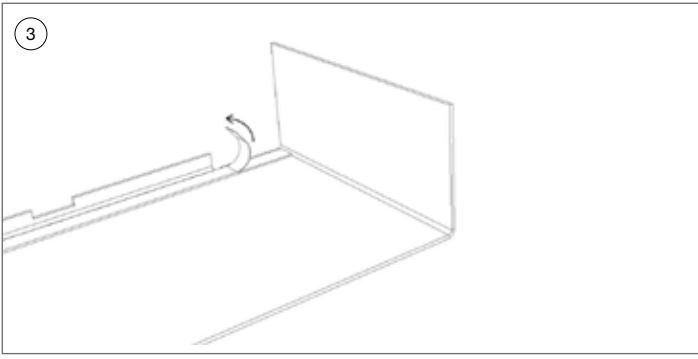


NL - België Nederland	Installatievoorschriften	p. 4
FR - Belgique France	Instructions d'installation	p. 6
DE - Belgien Deutschland Österreich Schweiz	Montageanleitung	p. 8
EN	Operating and installation Instructions	p. 10

650/1
655/1

NOVY®





GENERAL INFORMATION

General

These are the mounting instructions for the Novy hood shown on the cover. The manual is a separate booklet that has been supplied with this hood. Read these instructions carefully before installing and commissioning the hood. It is recommended to have one or more qualified persons carry out the installation.

Carefully take the hood from the packaging. Check if all mounting materials have been supplied using the drawings on page 2.

The hood is to be used above a hob and/or domino and intended for household use only.

The model 650 has to be mounted in a cabinet of 60 cm large, the 655 in a cabinet of 90 cm large.

The advised height above the hob is: 60 cm above an electrical and vitroceramic hob, 65 cm above an induction or gaz hob.

Important before mounting

Page 2 of these mounting instructions show the mounting drawings. Observe the following mounting tips before starting the mounting activities:

- For easier mounting of the telescopic hood it is recommended to do this with at least 2 persons.
- Check if all mounting materials have been supplied using the drawings on page 2.
- Position the wall socket such that it is near the telescopic hood.

Exhaust or recirculation

Before starting any mounting activities, you must have made the choice if you are going to make an exhaust duct to the outside or if you are going to use the hood as a recirculation hood. In case of an exhaust duct to the outside, carefully read the section in these mounting instructions for installing the exhaust duct. For recirculation, please separately order the recirculation kit.

INSTALLATION

Proceed following the mounting drawings on pages 2 and 3.

- ① Position the telescopic hood such that the front frame of the hood is flush with the cabinet door.
 - Remove the four screws (906136) at the top of the hood
 - Make the required cut-aways and drill holes in the kitchen cabinet in accordance with the mounting drawing.
 - Position the hood in the kitchen cabinet and push it against the shelf the hood is to be mounted to.
 - Attach the hood with screws (906136) using the drill holes made earlier.

If the above has been done correctly, the hood is now flush with the cabinet door.

- ② If required and dependent on the depth of the kitchen cabinet, you can attach the decorative strip. Distance 'x' (x = distance between the rear side of the hood and the wall) can be max. 80 mm wide.

Cut the decorative strip to the desired distance (x)
Attention, keep the side that is standing up!

- ③ Remove the protective layer on the upper side of the tape.
- ④ Degrease the attachment lip A of the hood using the supplied degreasing cloth (661057). Then attach the decorative strip by pushing it onto the hood.

Install the exhaust duct

The motor outlet has a diameter of 150 mm. It is recommended to connect an exhaust duct with a diameter of 150 mm to this.

For optimum performance of the hood it is important to pay attention to the following points.

Circular ducts:

- Use smooth, non-flammable pipes with an internal diameter that is equal to the external diameter of the connection nozzle of the hood. Maximally extend flexible ducts and cut them to size.
- Do not reduce the exhaust diameter. This will lower the capacity and raise the noise level.
- When connecting to a short exhaust duct, it may be required to mount a non-return valve in the duct to avoid wind blowing in.
- Use a hose clamp or aluminum tape for airtight connections.
- In case of an exhaust pipe through the wall, use a wall vent.

Flat duct:

- Use flat duct with rounded corners and with air deflectors. Available at Novy.

General information:

- Make the duct as short as possible and with as few as possible bends to the outside.
- Avoid square bends. Use rounded bends for proper air conduction.
- In case of an exhaust pipe through the outside wall passing a cavity wall, make sure that the exhaust duct fully bridges the cavity and slightly declines to the outside.
- In case of an exhaust pipe through the roof, use a double-walled roof passage with sufficient width.
- Never connect to a flue duct.
- Make sure that sufficient air is supplied. Fresh air can be supplied by slightly opening a window or an outside door or by installing an inlet grate.

ACCESSORIES

Recirculation

In case of recirculation Novy provides charcoal filters.

Various accessories

- | | |
|---|--------|
| • Clamp Ø60-215 mm | 906291 |
| • Aluminium tape (per 50 m) | 906292 |
| • Aluminium wall vent for outlet Ø150mm | 906178 |
| • One-way valve Ø150mm | 906269 |
| • Stainless steel cleaner | 906060 |

NOVY nv behoudt zich het recht voor te allen tijde en zonder voorbehoud de constructie en de prijzen van haar producten te wijzigen.

NOVY SA se réserve le droit de modifier en tout temps et sans préavis la construction et les prix de ses produits.

Die NOVY AG behält sich das Recht vor, zu jeder Zeit und ohne Vorbehalt die Konstruktion und die Preise ihrer Produkte zu ändern.

NOVY nv
Noordlaan 6
B - 8520 KUURNE
Tel. 056/36.51.00 - Fax 056/35.32.51
E-mail : novy@novy.be
<http://www.novy.be>

France: Tél: 0320.940662
Deutschland und Österreich: Tel: +49 (0)511.54.20.771
Nederland: Tel.: +31 (0)88-0119110

ref M650 D